

G-Bag™ Grease Trap System



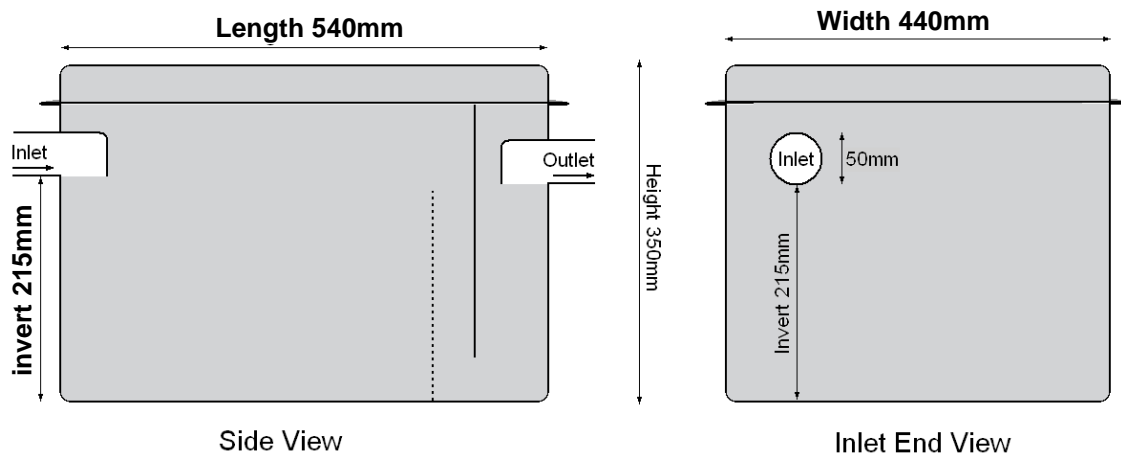
The Goodflo G-Bag™ Grease Trap System is uniquely different by enhancing kitchen hygiene environment through 3 core benefits setting it apart from other products.

- **Odourless operation**
- **G-Bag™ is removed and replaced in minutes**
- **Simple to maintain**

Designed for above ground, internal installation but can be used externally. Self Maintenance grease trap by replacing the G-Bags™ on a programmed schedule.

Highly effective, environmental, hygienic and building regulations complaint. This grease trap is simple to install and provides odour-free operation, G-Bag™ replacement and maintenance. The innovative replacement G-Bags™ is contained in a stainless steel housing.

The G-Bag™ Grease Trap System is suitable for kitchens serving an average of up to **120 meals** per day with a 1-2 commercial sinks discharging through the grease trap.





Goodflo Ltd | The Elms | Birmingham Road | Stratford-Upon-Avon | Warwickshire | CV37 0ES

Tel: 01926 334 466
Email: Info@goodflo.com
Web: www.goodflo.com

Fax: 08445 070 536
Registration No. 4877361
VAT No: 825682312

